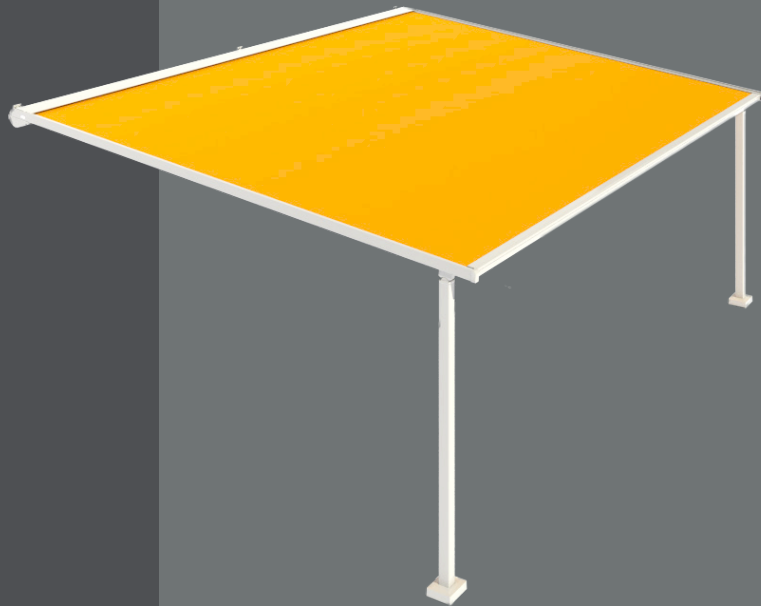


Installation instructions



Portofino
Pergola


Lewens
M A R K I S E N



Important safety instruction!



To ensure the safety of persons it is important to read these instructions carefully prior to installation and to follow them. The installation instructions should be kept in a safe place and if the awning is sold they must be passed on to the new owner.

Table of content

1.	General	3
1.1.	Scope of supply	3
1.2.	Competence required of the installation company	3
1.3.	Attachment of ropes and lifting	3
1.4.	Protection against falling	3
2.	Tools required	3
3.	Assembly steps	4
3.1.	Check the scope of supply	4
3.2.	Marking and attachment of brackets	4
3.3.	Fitting the casing	6
3.4.	Installation of the posts	6
3.5.	Fitting the guide tracks	8
3.6.	Fit the plastic guide	9
3.7.	Fitting the pull cord	9
3.8.	Final sunshade position	11
3.9.	Finishing work	12
4.	Carry out electrical installation	13
5.	Repair of the system	13
7.1.	Replacing the drive	13
7.2.	Replacing the fabric	13
6.	Commissioning	13
7.	Handover	13

1. General

1.1. Scope of supply

- 1 x Portofino conservatory sunshade
- * x wall bracket
- 2 x Pergola post
- 2 x guide track
- 2 x pre-attached moulded caps
- 1 x cover section on front profile
- 1 x Installation instructions
- 1 x Operating instructions
- 1 x Awning care advice
- 1 x Completion certificate
- 1 x Electrical connection and adjustment instructions
- 1 x Test operation or programming cable
(Only if ordered as an extra)

* Number of items according to: width, drop, installation base and plug withdrawal forces

Important information

The sunshade system should be installed by a specialist firm.

The installation options on site must be checked to ensure that the sunshade can be installed safely and held securely in place. The choice of fixing materials must be based on the surface on which the sunshade is to be mounted. The sunshade is supplied without installation materials.

The components of this sunshade comply with the currently applicable technical requirements and standards.

Design modifications are only permitted with the consent of Lewens Sonnenschutz Systeme GmbH & Co. KG.

1.2. Competence required of the installation company

- Adherence to occupational health and safety regulations and operational safety requirements
- Handling of ladders and scaffolding
- Safe transportation and storage of the sunshade
- Handling of tools and machinery
- Assessment and installation of fasteners in the existing building fabric
- Operation of the awning and instruction of the user

1.3. Attachment of ropes and lifting

If the conservatory sunshade has to be lifted to a higher level with the aid of ropes, the system

- removed from the packaging,
- attached to the lifting ropes so that the awning cannot slip out,
- subject to uniform load distribution (horizontal position) during lifting

1.4. Protection against falling

- When working at a great height, suitable personal safety measures should be taken to guard against the risk of falling.
- Ladders and scaffolding must be on a firm base and offer a secure foothold.

2. Tools required

- Spirit level
- Guide line
- Tape measure
- Allen keys 3 mm, 4 mm
- Jaw wrench/ring spanner size 10 and for fastener size
- Block lever/glazing shovel *(for dismantling cover section on front profile)*

Installation

3. Assembly steps



To ensure smooth operation of the sunshade, it is essential to adhere precisely to the horizontal and diagonal dimensions.

3.1. Check the scope of supply

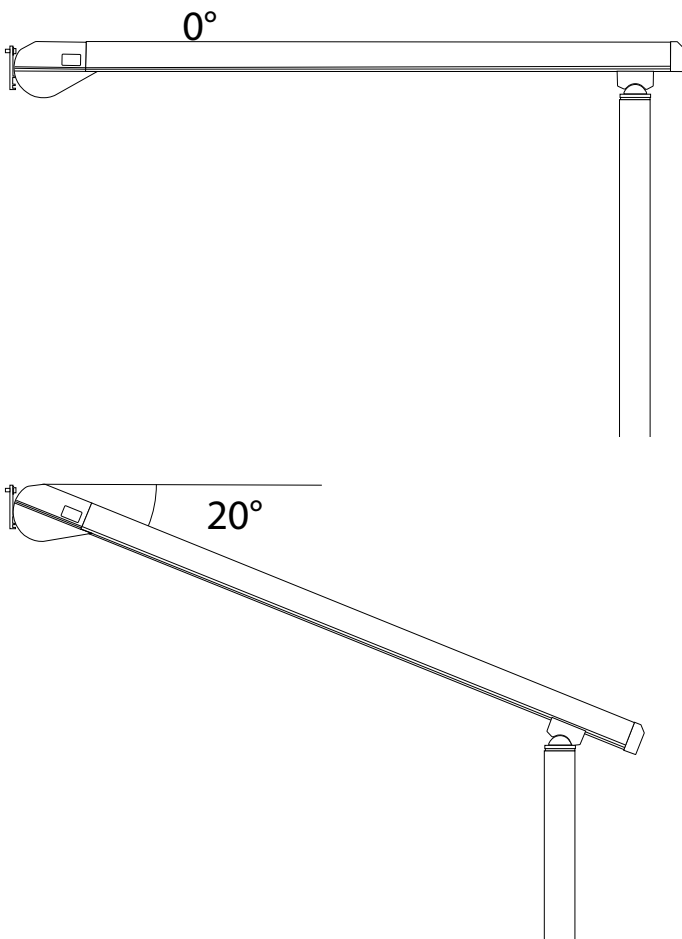
Prior to installation, it must be checked

- whether the information given when ordering regarding awning type, colour, drive type (motor, radio-controlled motor) and drive side matches the delivery
- that the right parts have been supplied in the correct quantity, see scope of supply (1.1)



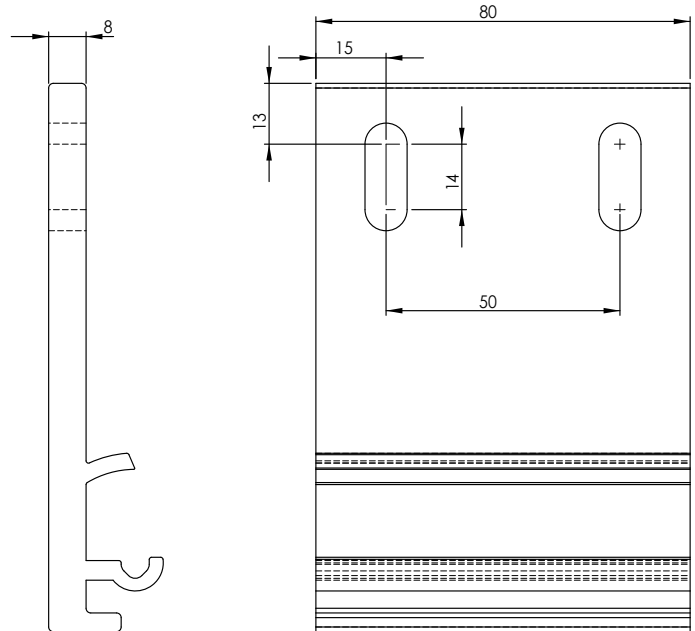
It is recommended that at least two persons carry out installation.

3.2. Marking and attachment of brackets



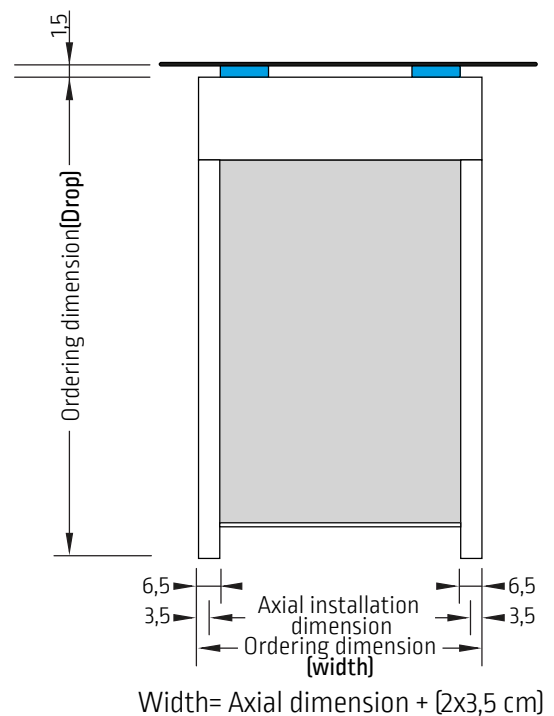
The sunshade can be installed with a tilt of 0° to 20°.

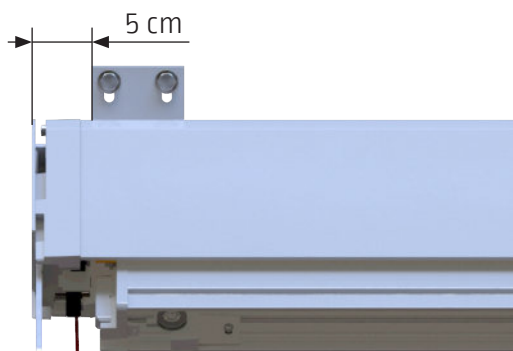
Portofino Wandkonsole



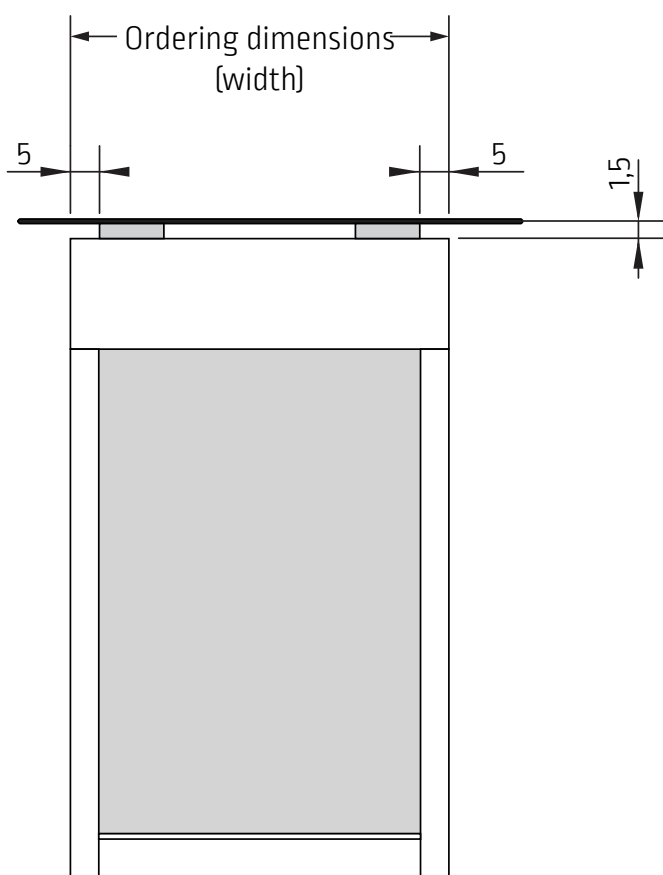
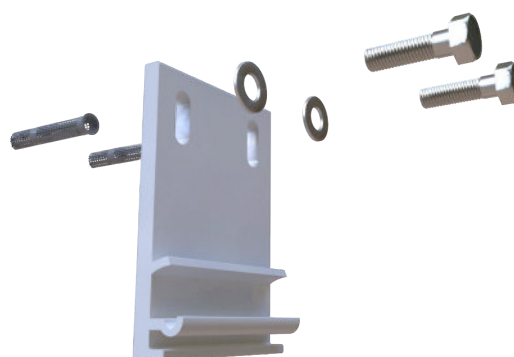
Attachment

Portofino Ordering dimensions in cm



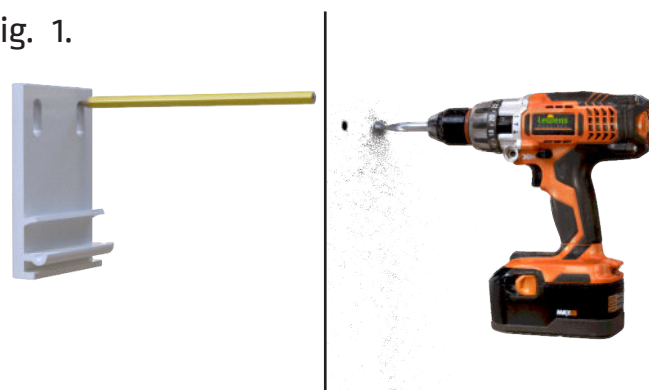


Fit each bracket using the appropriate fasteners (take note of the guidelines for use and pull-out forces of the plug manufacturer as well as edge spacings from the mounting base).



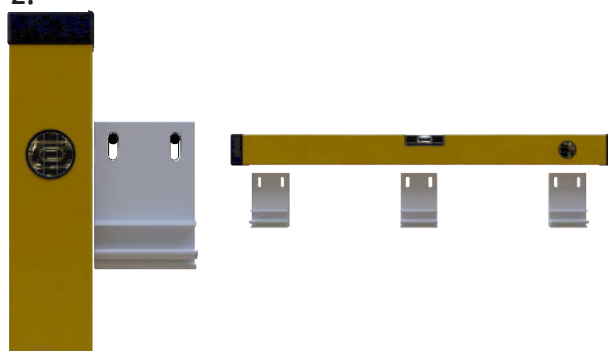
Fit the brackets using the appropriate fasteners.

Fig. 1.



Mark the first bracket position and drill accordingly. The elongated holes are used to correct the position later if necessary.

Fig. 2.

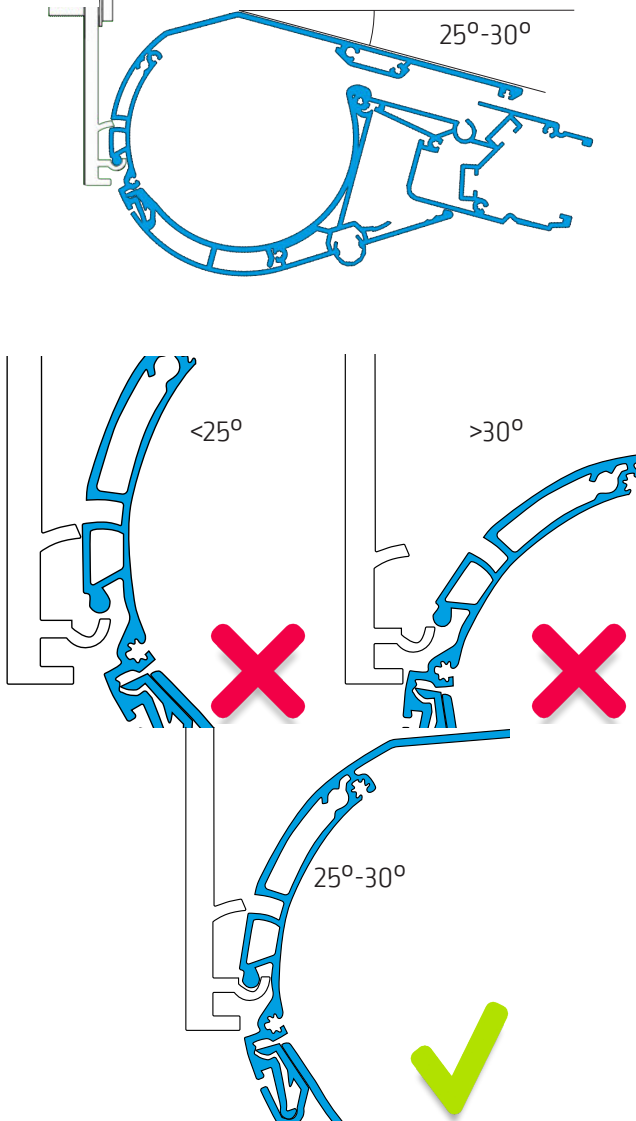


outer dimensions wall brackets= ordering dimensions (width) - 2 x 5cm

Align brackets vertically and horizontally on the wall using a spirit level.

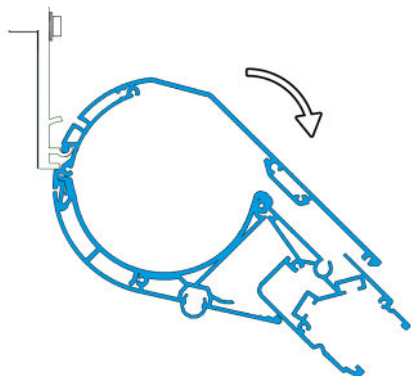
3.3. Fitting the casing

Fig. 3.



Lift the casing up behind the lower hooks of the brackets...

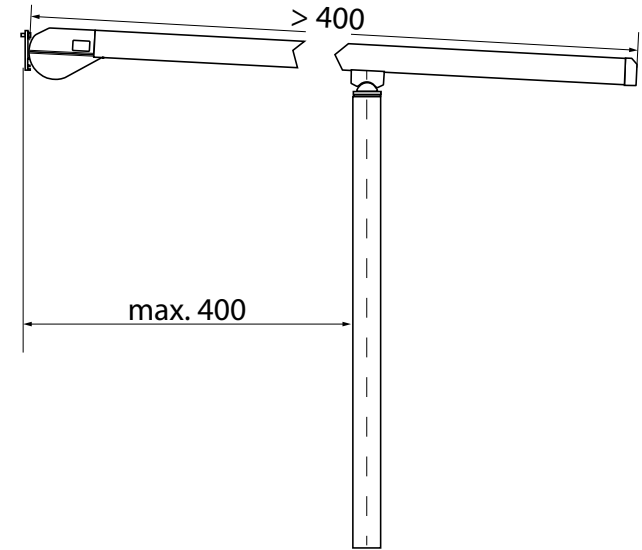
Fig. 4.



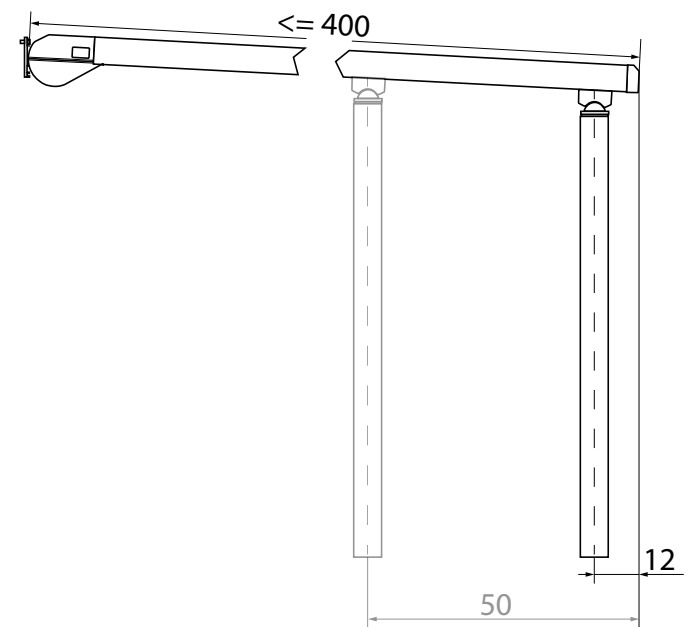
... and let them carefully tilt downwards.

3.4. Installation of the posts

Fig. 5.



At an ordered width of more than 4 m the posts have to be inset.

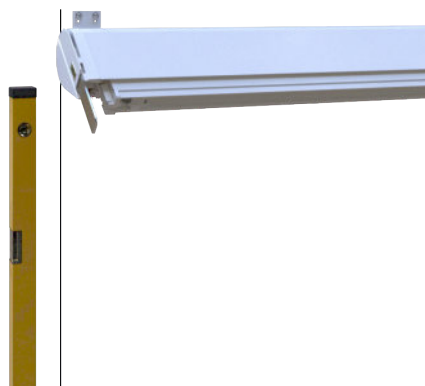


At an ordered width of less than or equal to 4 m the posts can be inset by 12cm to 50 cm.



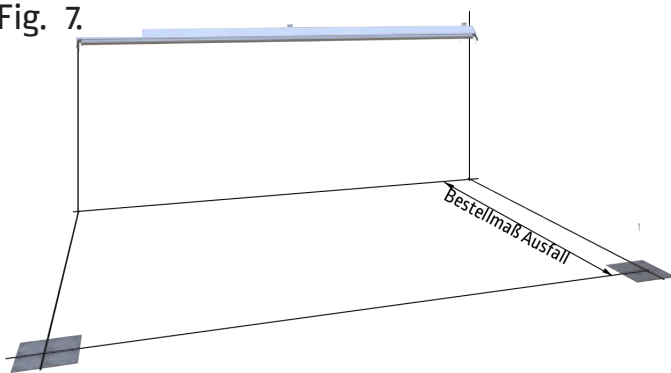
Caution! Watch out not to unhinge the casing while fitting the guide tracks!

Fig. 6.



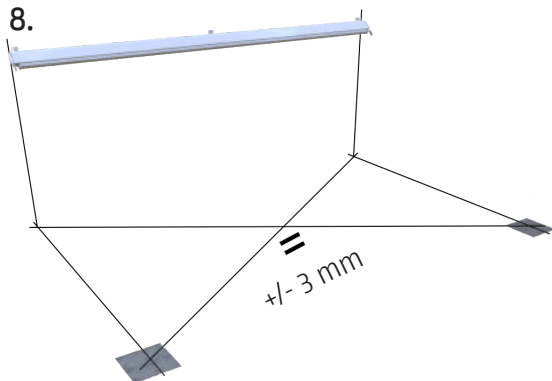
To determine the position of the posts, measure vertically downwards from the outside.

Fig. 7.



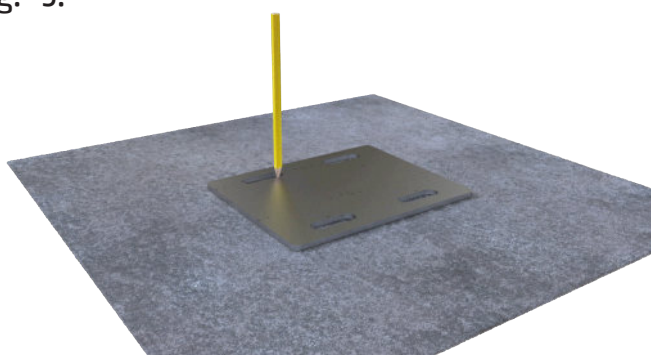
From there, measure the distance from the wall.

Fig. 8.



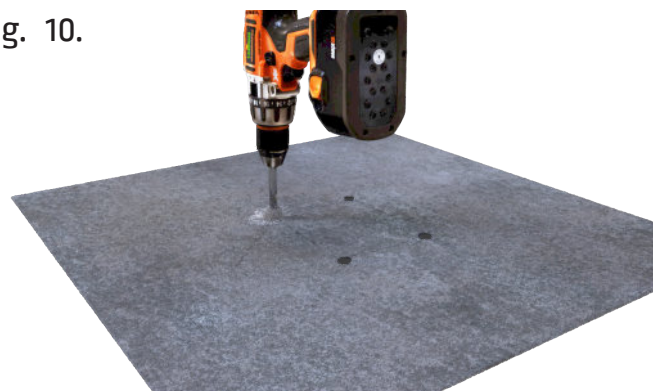
Check the diagonal measurements.

Fig. 9.



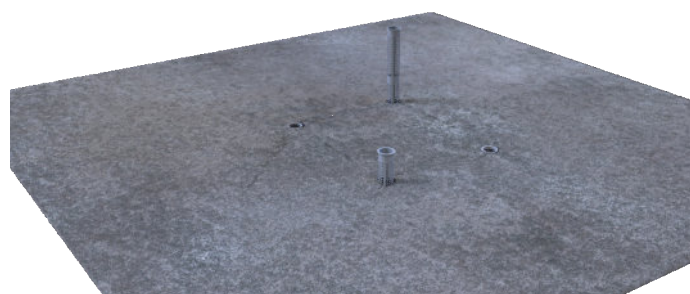
Mark the position...

Fig. 10.



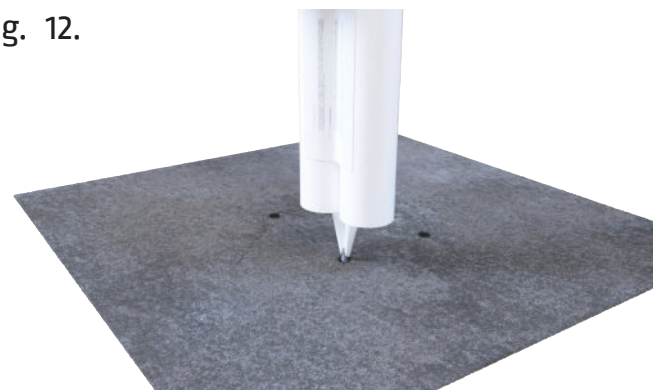
... and drill accordingly

Fig. 11.



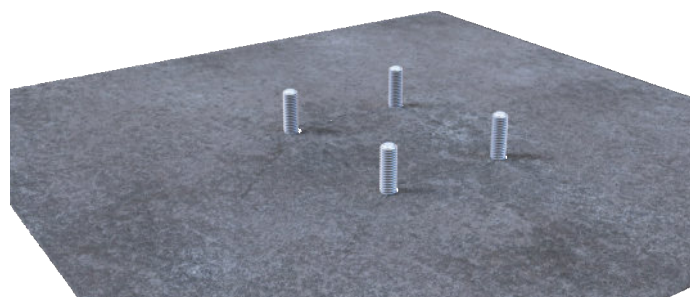
Insert M12 glued dowels...

Fig. 12.



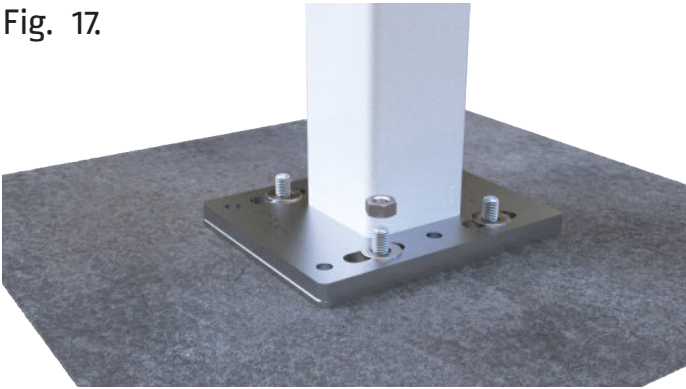
... and fill with suitable adhesive.

Fig. 13.




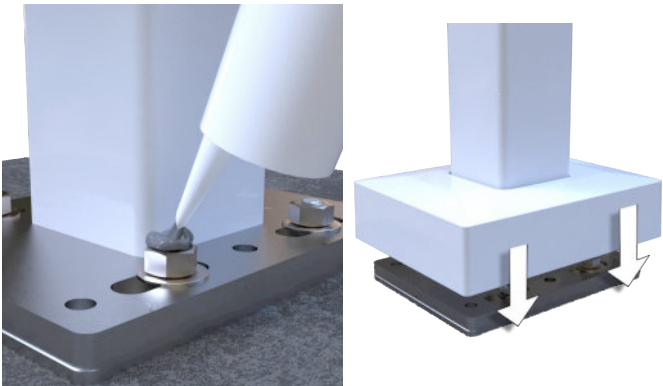
Insert the threaded rods.

Fig. 17.



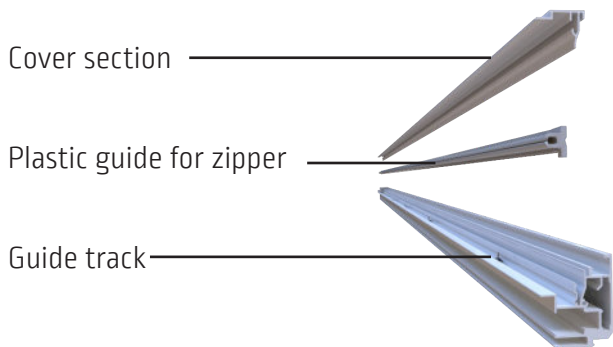
Following the setting time, the adjuster plate and the post can be positioned and fastened in place.

 Fit each post using the appropriate fasteners (take note of the guidelines for use and pull-out forces of the plug manufacturer as well as edge spacings from the mounting base).



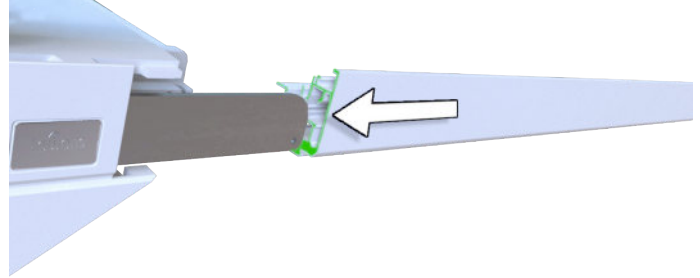
Apply some silicone (or any appropriate adhesive) onto the nuts and fit the caps.

3.5. Fitting the guide tracks



Dismantle guide tracks.

Fig. 14.



Fit the guide tracks on the casing from the front.


 **Caution!** The casing is movable.
Lift it slightly upwards to fit the guide tracks.

Fig. 15.




When fitting the tracks, avoid trapping the pull cord.

Fig. 16.

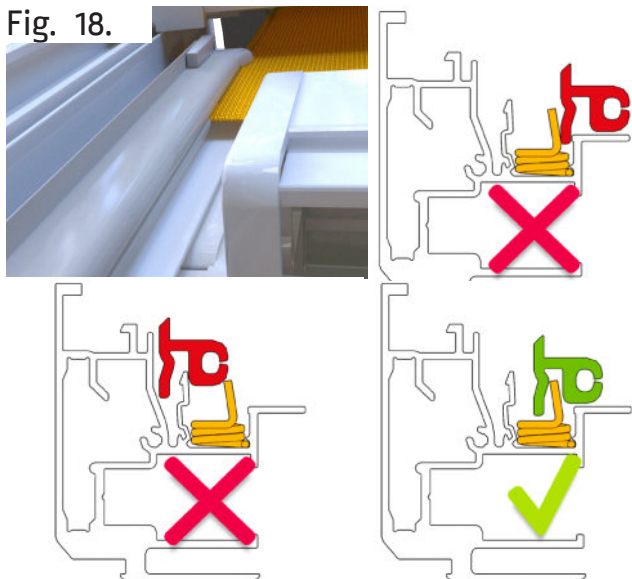


Secure the guide tracks from inside using the locking screw.

 **Caution!** The pull rope can be damaged by sharp edged parts!

3.6. Fit the plastic guide

Fig. 18.



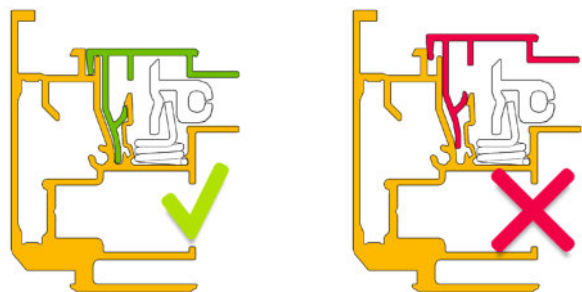
When fitting the plastic guide, the intake funnel [1] points to the casing side [see also marking on the rear of the PVC guide].

Insert the plastic guide below the front profile into the zipper of the awning.

Check for correct seating and spacing of all factory-fitted springs on each guide track.

Place plastic guide onto each spring hook.

Fig. 19.



Place guide track cover onto the guide track and press on.

3.7. Fitting the pull cord



Keep a slight tension on the cord during fitting!

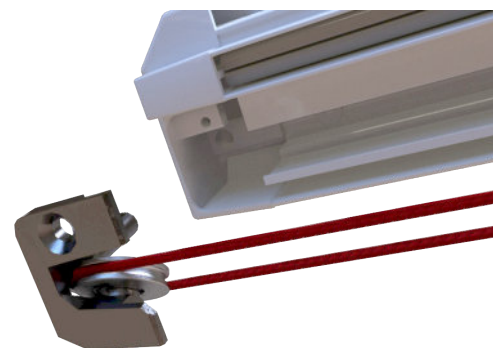


Make sure the pull cord isn't twisted!



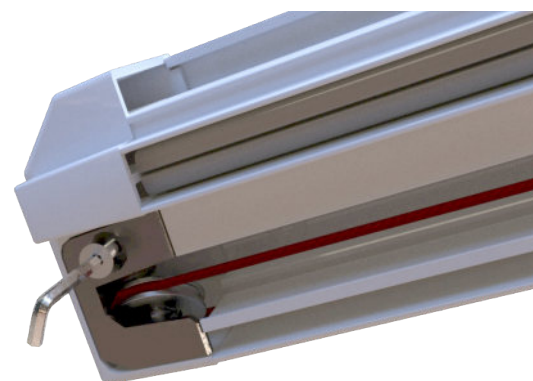
Remove the fixing of the pull cord!

Fig. 20.



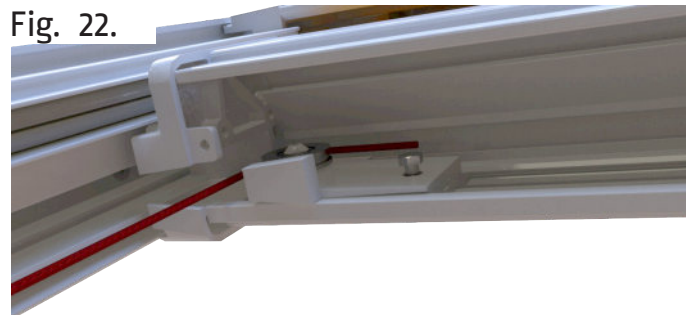
The pull cord is preattached to the pulley sheave.

Fig. 21.



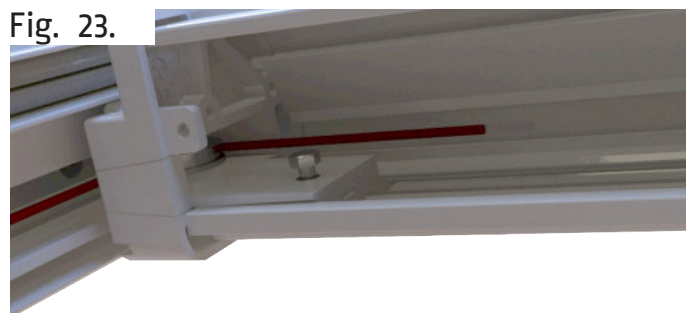
Mount the pulley in the track.

Fig. 22.

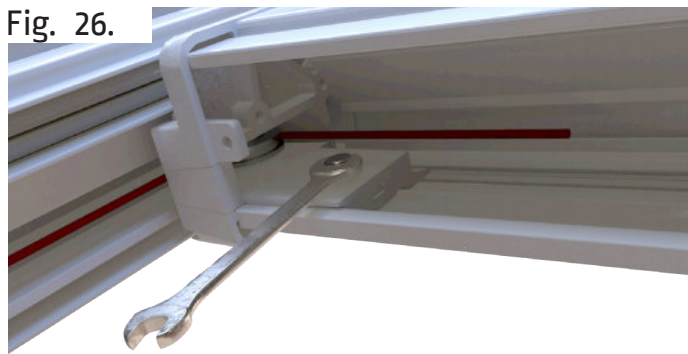


Place the pull cord around the carriage sheave in the front drop.

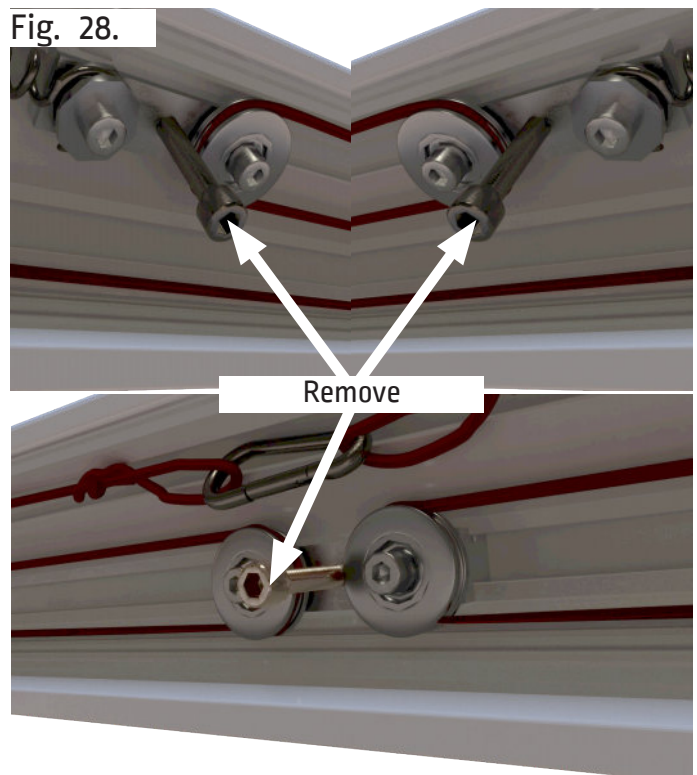
Fig. 23.



Slide the carriage outwards...



... and fix it with the hexagon socket screw.

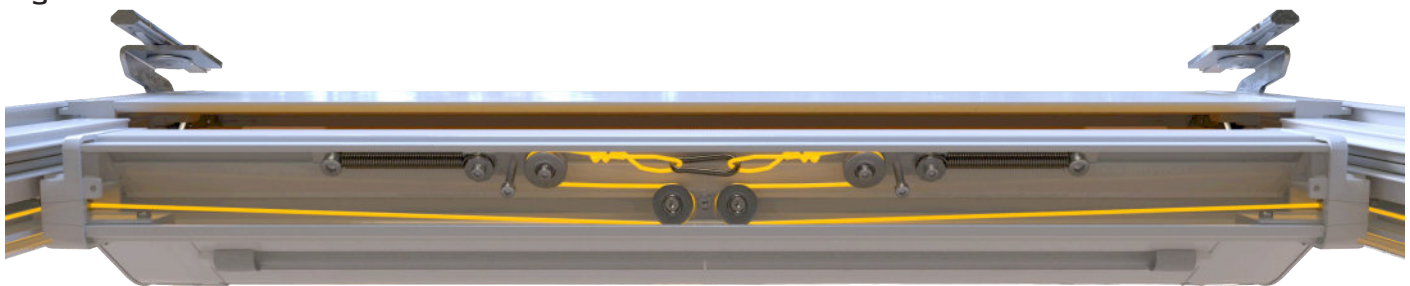


Place the loops at the ends of the pull cord onto the hook (Fig.24/26) / the screws with pressure plates (Fig.27) and remove the locking screws (Fig.25).

The cord routing in the front profile appears as follows:

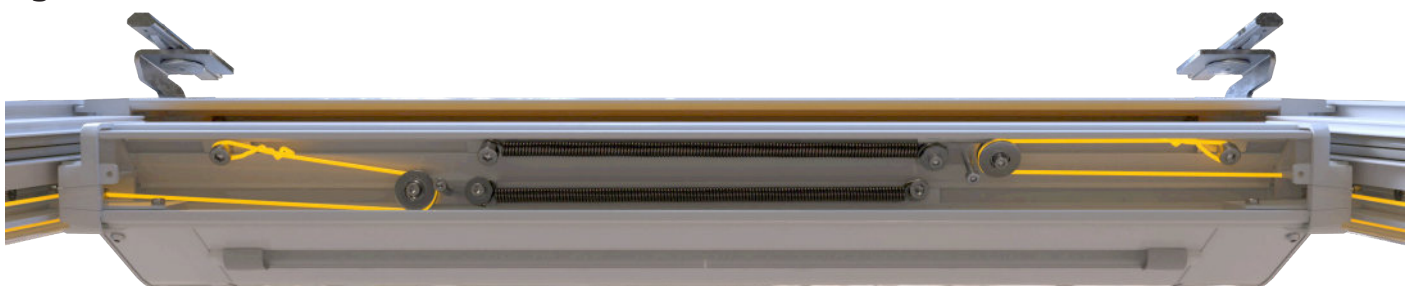
Cord routing for a sunshade width of over 310 cm:

Fig. 24.



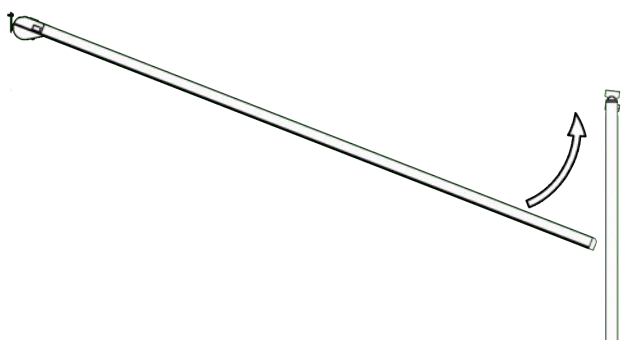
Cord routing for a sunshade width of less than 310 cm:

Fig. 25.



3.8. Final sunshade position

Fig. 29.



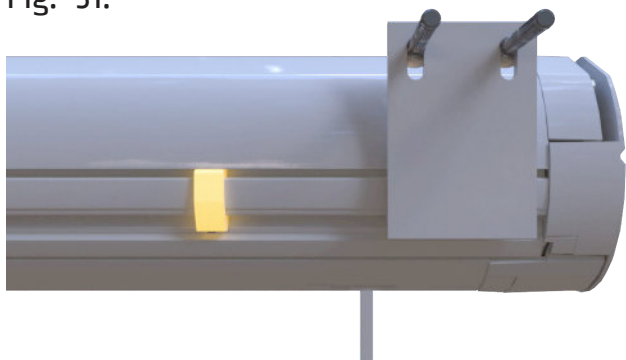
Pivot both guide tracks simultaneously upwards...

Fig. 30.



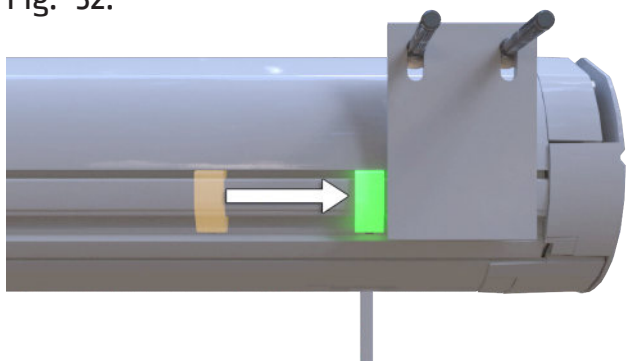
...and latch into the track holders of the posts from above.

Fig. 31.



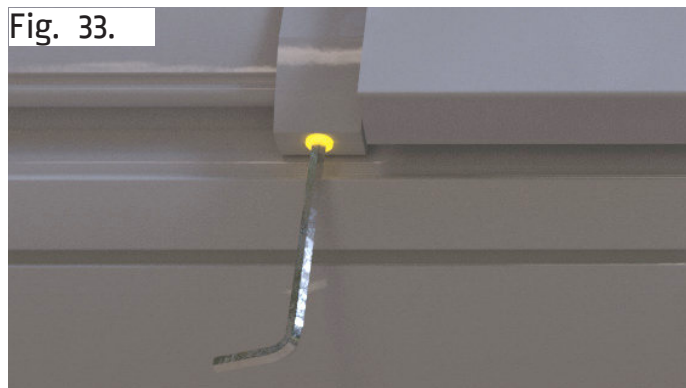
There are two stoppers at the backside of the sunshade.

Fig. 32.



Slide them towards the wall bracket...

Fig. 33.



...and secure the stoppers with the locking set screw from underneath.

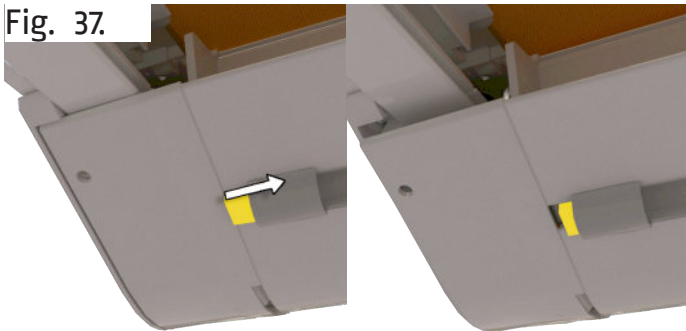
3.9. Finishing work

Fig. 36.



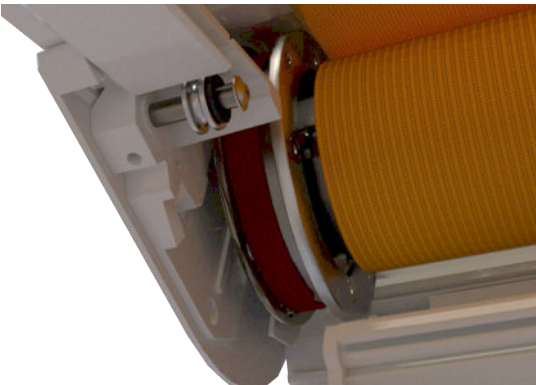
Open the casing by removing the hexagon socket screw.

Fig. 37.



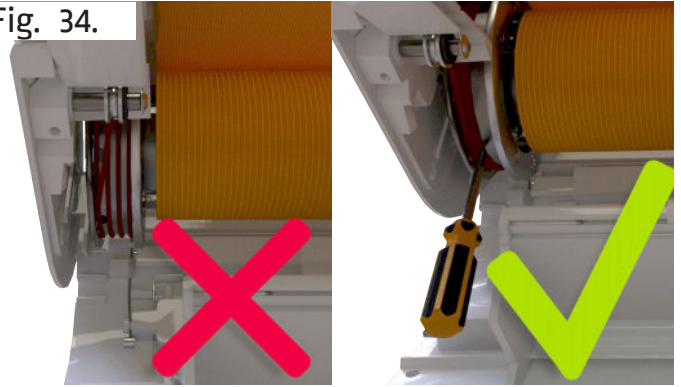
Press the locking block inwards on both sides and press the cover section slightly to the rear on opening.

Fig. 35.



Check the cord run on the cord sheave.

Fig. 34.



The pull cord must be located on the outside of the cord sheave. Push it OUTWARDS with the aid of a screwdriver if necessary.



When closing the casing, keep an eye on the position of the cable.
DO NOT pinch the cable!

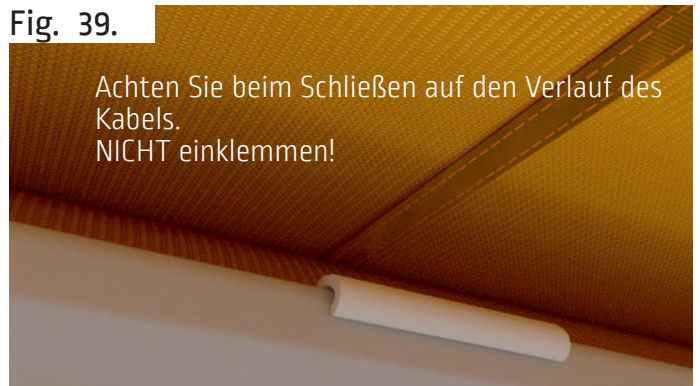
Fig. 38.



Close the cover section once more and fix it with the hexagon socket screw that was removed previously.

Press the cover section slightly to the rear on closing also.

Fig. 39.



Achten Sie beim Schließen auf den Verlauf des Kabels.
NICHT einklemmen!



To finish, check the fabric slide shells sit correctly. These must be positioned under the seams of the fabric.

4. Carry out electrical installation



NB: The power supply must be connected by an approved electrician in conformity with VDE [German Electrical Engineering Association] regulations.

The conservatory sunshade may only be connected up if the data on the rating plate correspond to the data of the current source. When laying the cable for the motor, care should be taken to ensure the connection cable is not damaged by kinking or sharp edges.

Long-term operation of the sunshade via a plug socket is not permissible.

The awning switch used should be fitted at a height of 180 cm and must be locked reciprocally in the extension and retraction direction, as otherwise the programming of the end positions is lost.

The extension and retraction limit is set at the factory. In the event of changes, a precise programming mode must be followed in accordance with the instructions in the enclosed motor description.

The sunshade can be supplied with an electric drive operated via permanent pushbuttons or a radio drive. The mode of operation is described in the enclosed motor description.

Adjustment of the electric drive:

- To be able to modify the programming of the end positions, the enclosed motor description and a test or programming cable (*Not included*) are required.

Adjustment of the radio-controlled drive:

- If using a radio-controlled drive, adjustment is carried out via the hand-held transmitter of the motor. The motor description enclosed with the system is required for this.

5. Repair of the system

Repairs should only be carried out by a specialist firm. Only spare parts from Lewens Sonnenschutz GmbH may be used.

7.1. Replacing the drive

To repair a faulty drive, the awning must be dismantled. To do this, suitable installation aids and knowledge are required that only a specialist installation firm can provide.

The replacement drive must correspond to the same type series and be from the same manufacturer.

7.2. Replacing the fabric

The sunshade must be dismantled for this purpose. Replacement must be carried out by a specialist dealer or the sunshade must be returned to the manufacturer.

6. Commissioning

Persons may not stand in the area of the awning while it is being tested. All objects located under the awning should be removed.

7. Handover

On completion of the installation, the following instructions should be given to the user:

- Installation instructions
- Operating instructions
- Adjusting instructions
- Completion certificate

The installation company should explain the instructions on operation, safety and use in detail to the customer. The actual wind resistance classification achieved following installation should be documented for the customer on the completion certificate. The resistance classification can be 0, 1 or 2 depending on the local installation conditions. The automatic sun and wind control system should be set according to this value.

The completion certificate should be countersigned by the customer and specialist dealer. If the certificate is incomplete or has not been filled in, the awning shall be classed as having a wind resistance classification of 0.

Fig. 40.

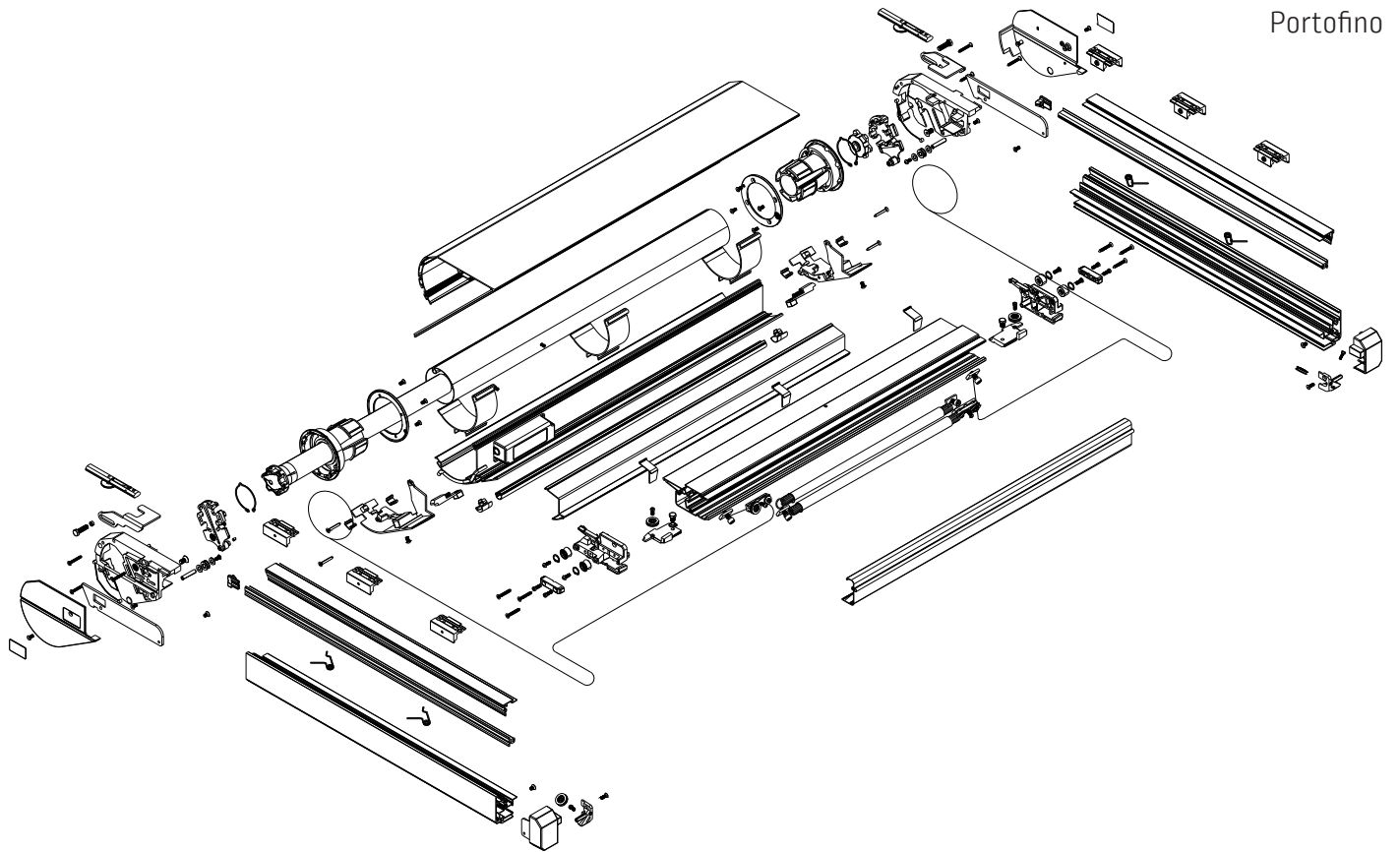


Fig. 41.

Pergola

